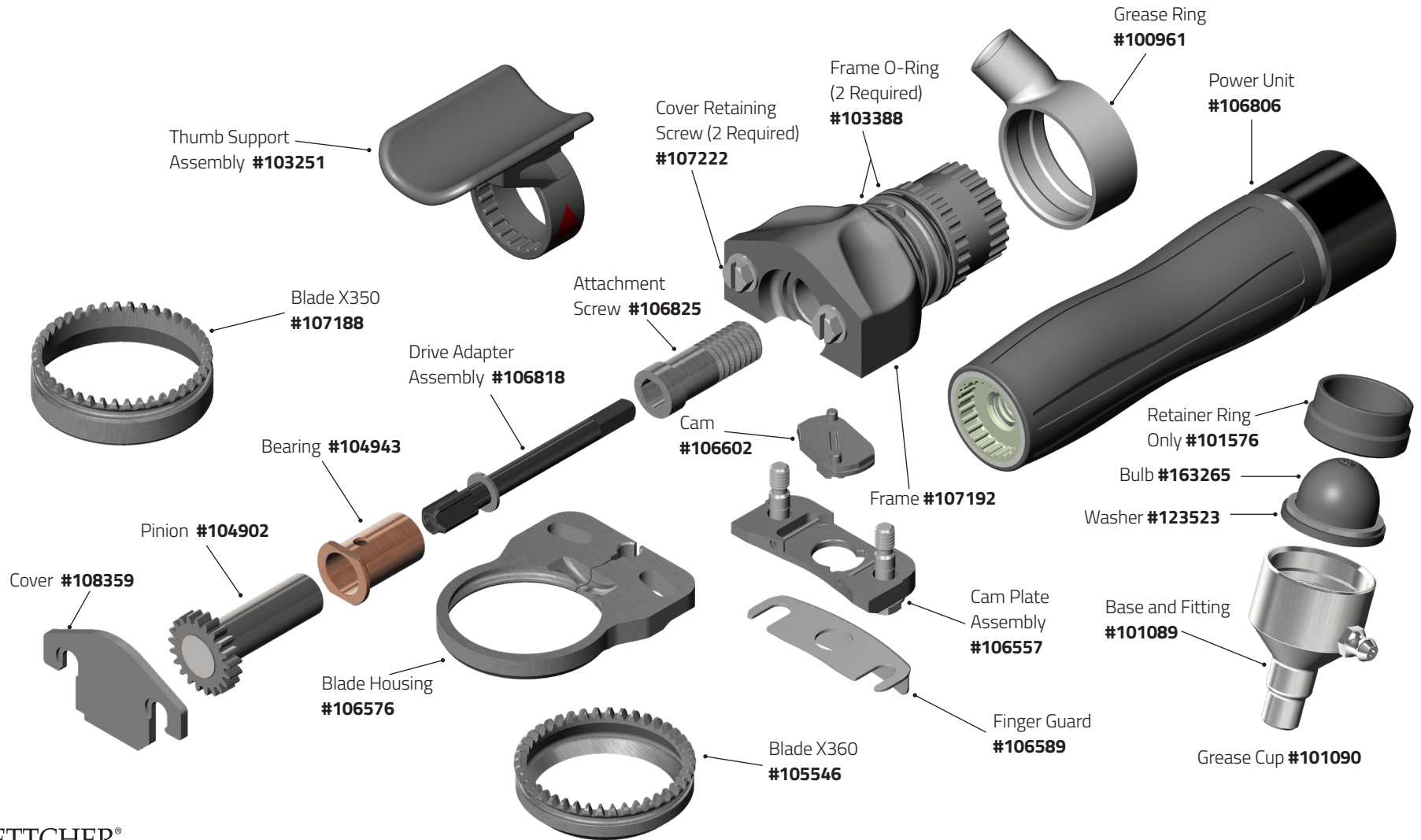


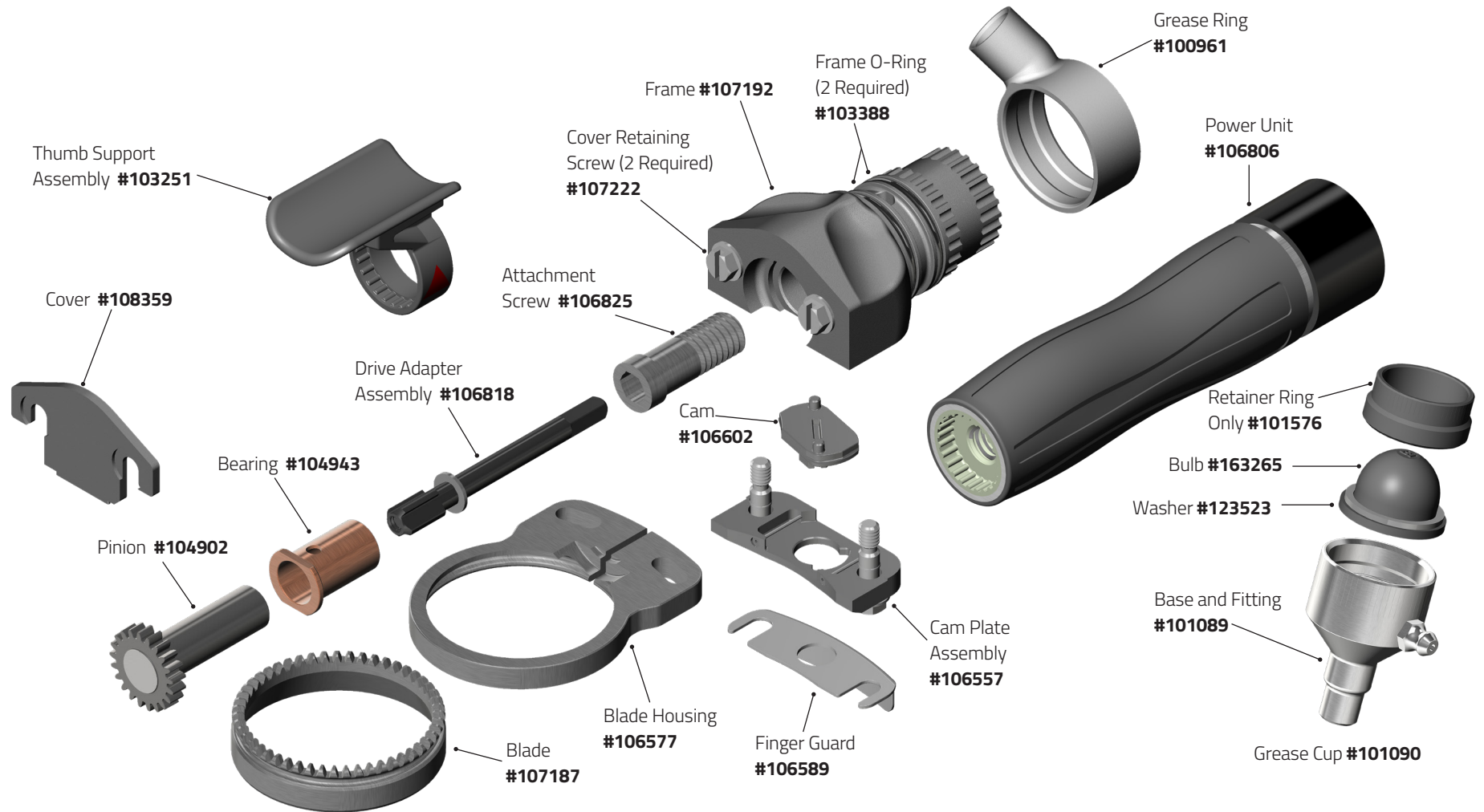


Quantum Flex® Air X350/X360



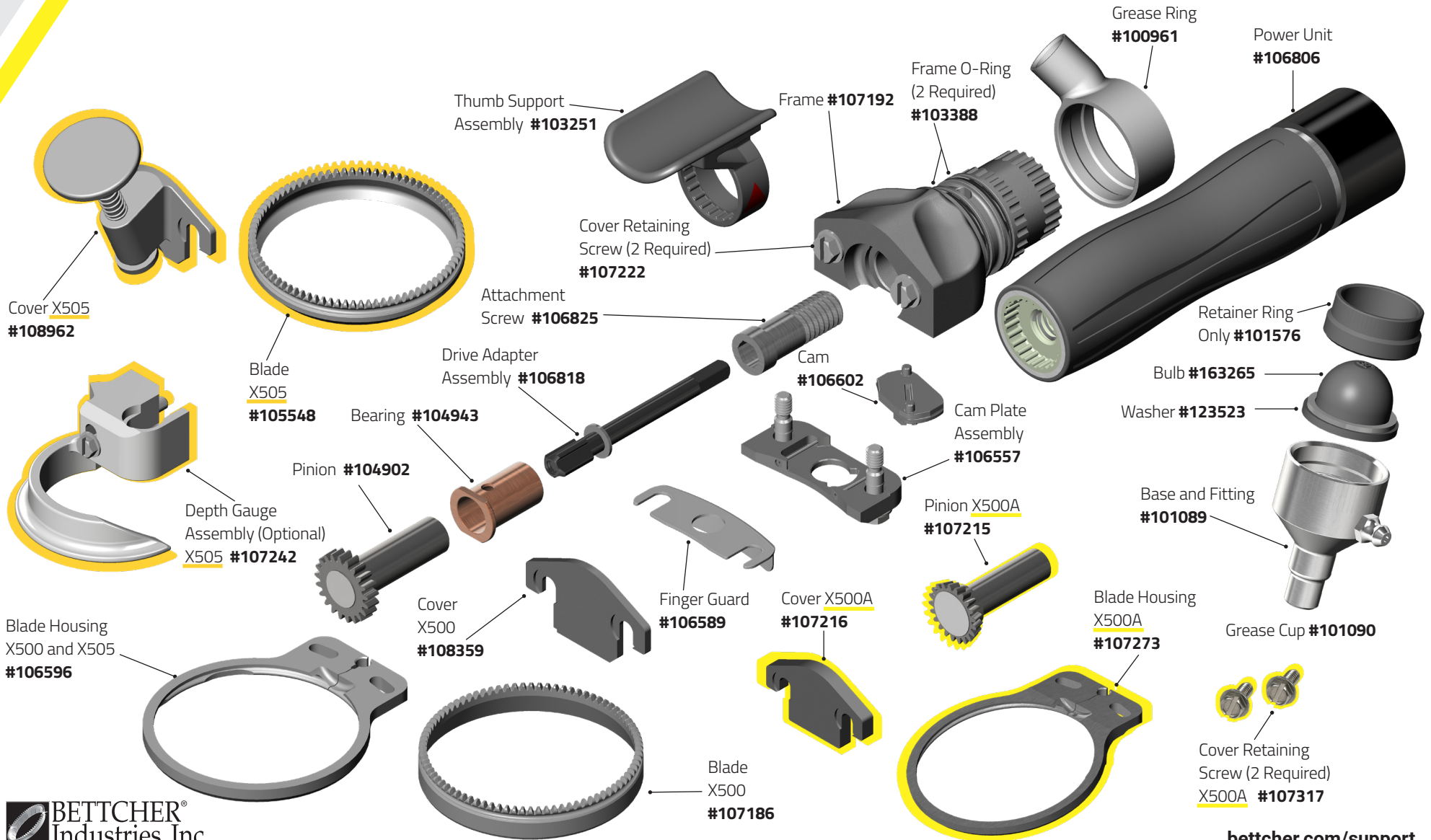


Quantum Flex[®] Air X440



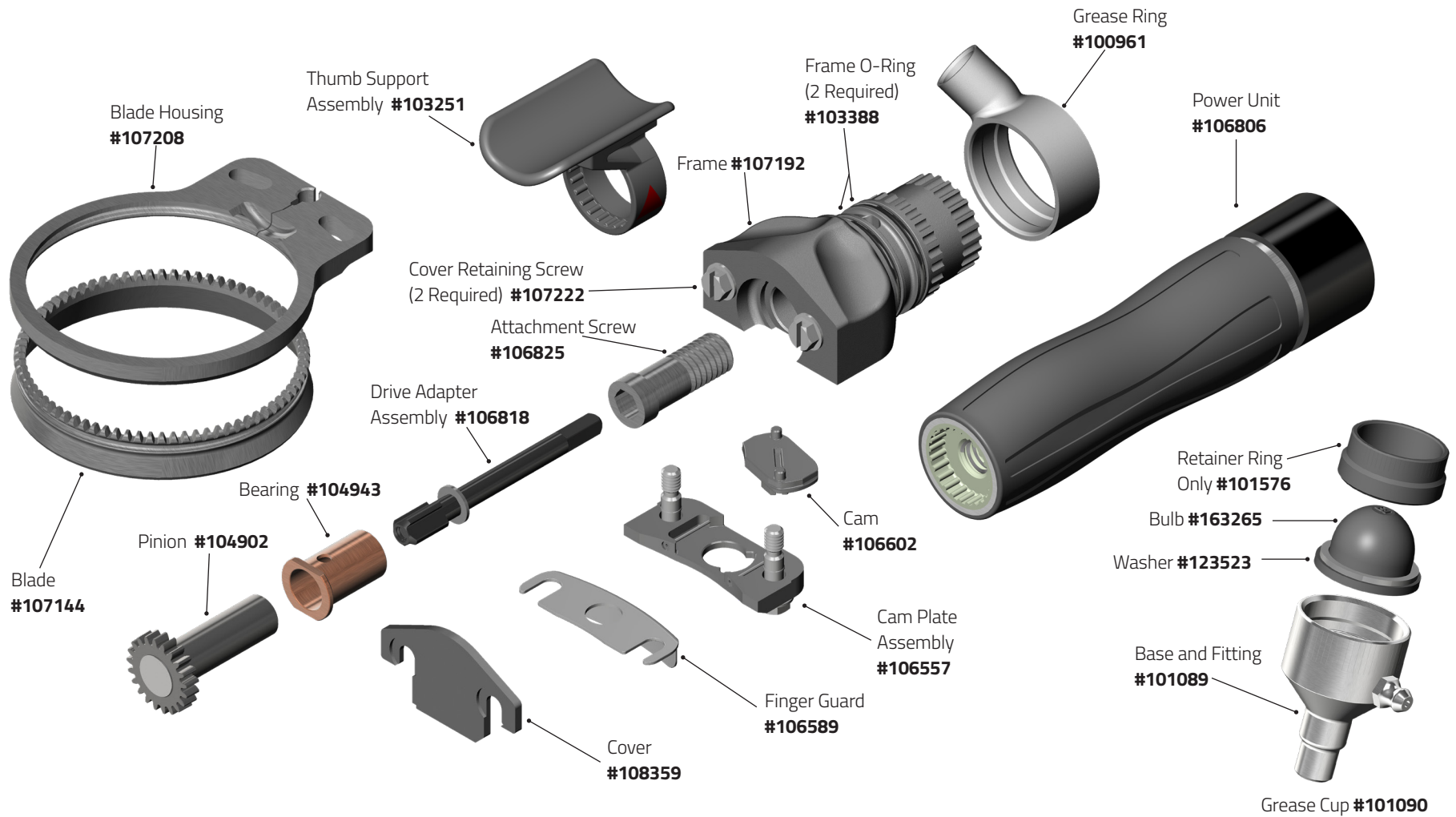


Quantum Flex® Air X500/X505/ X500A





Quantum Flex[®] Air X564



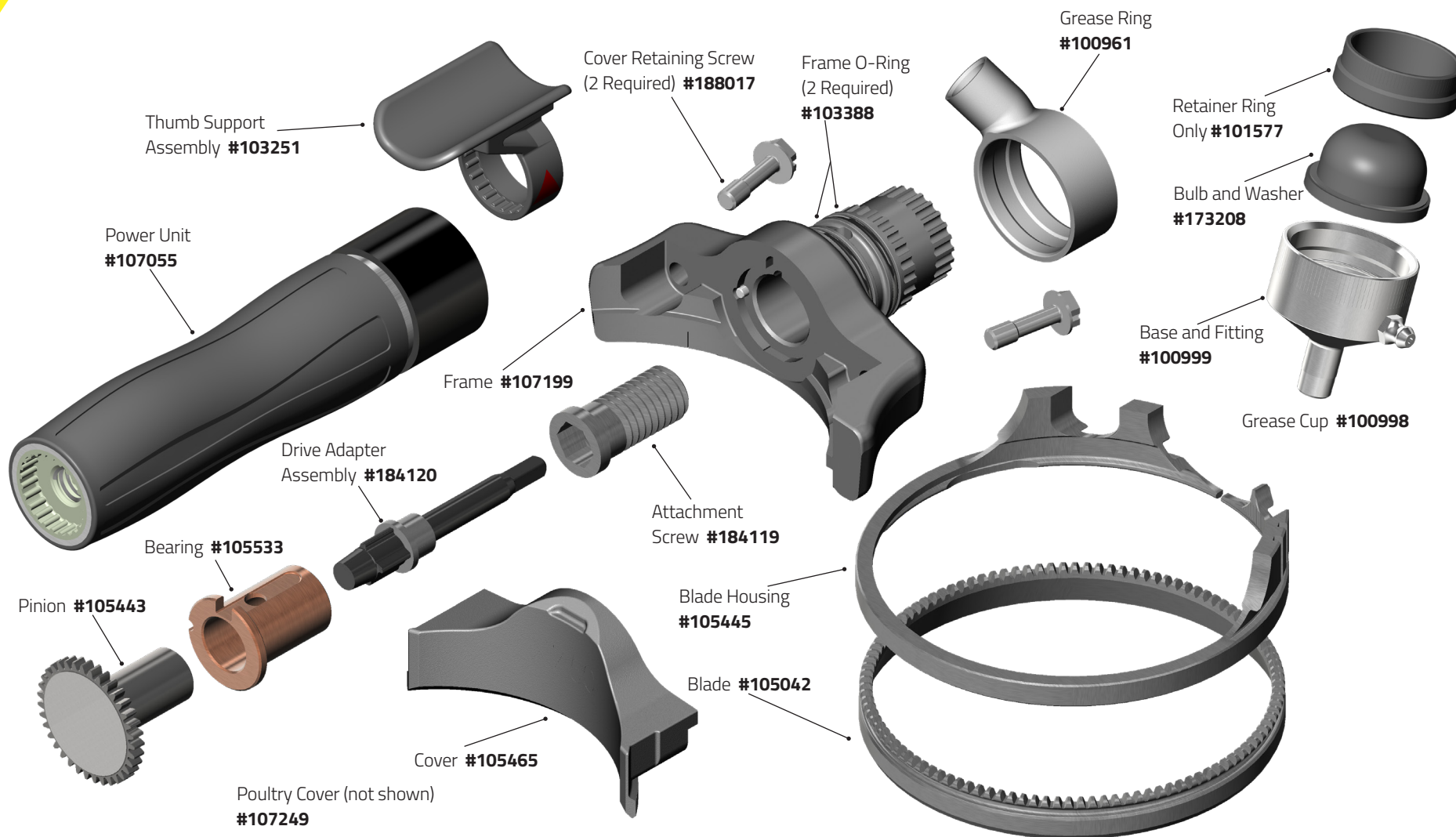


Quantum Flex[®] Air X620/X625/ X620A



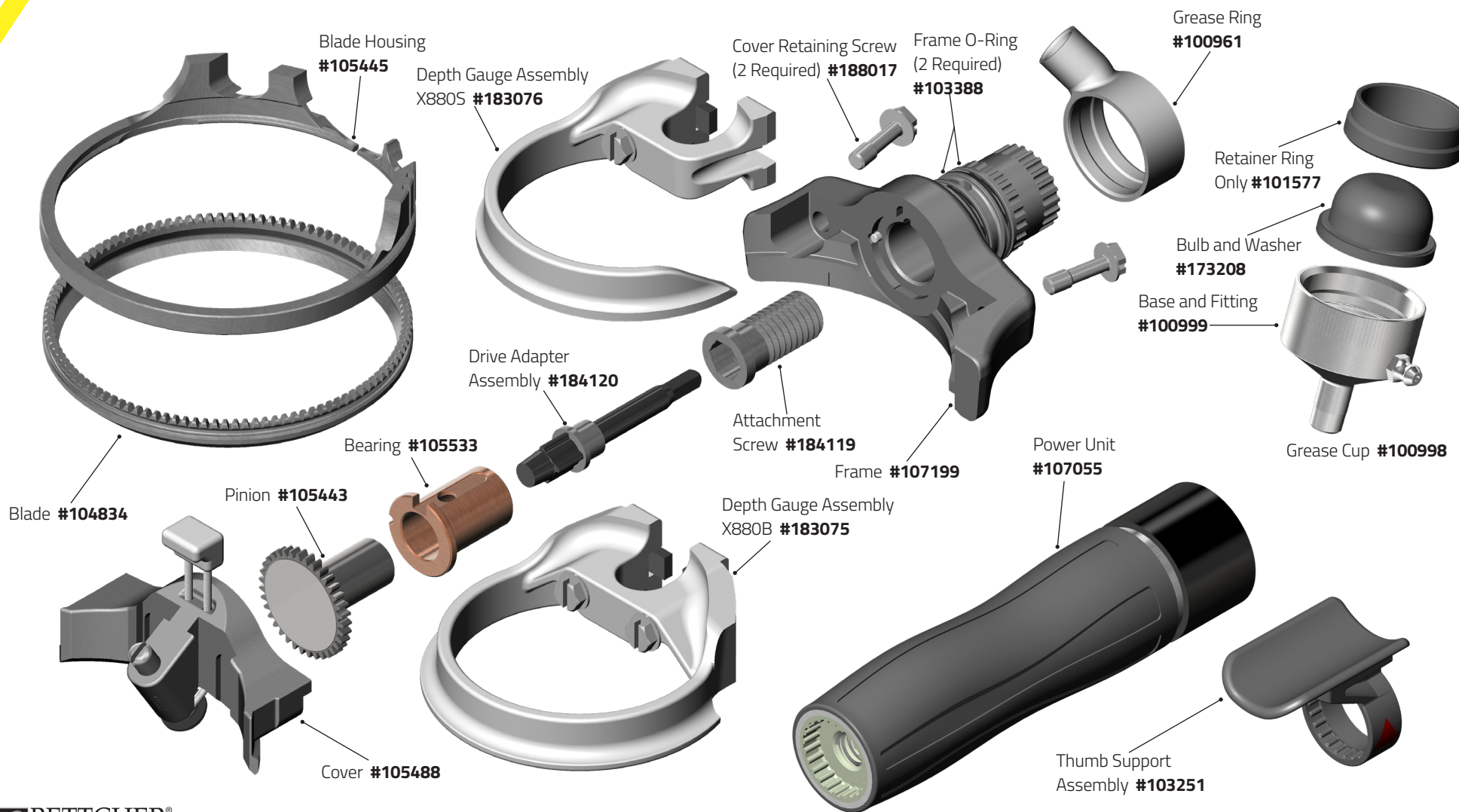


Quantum Flex® Air X750



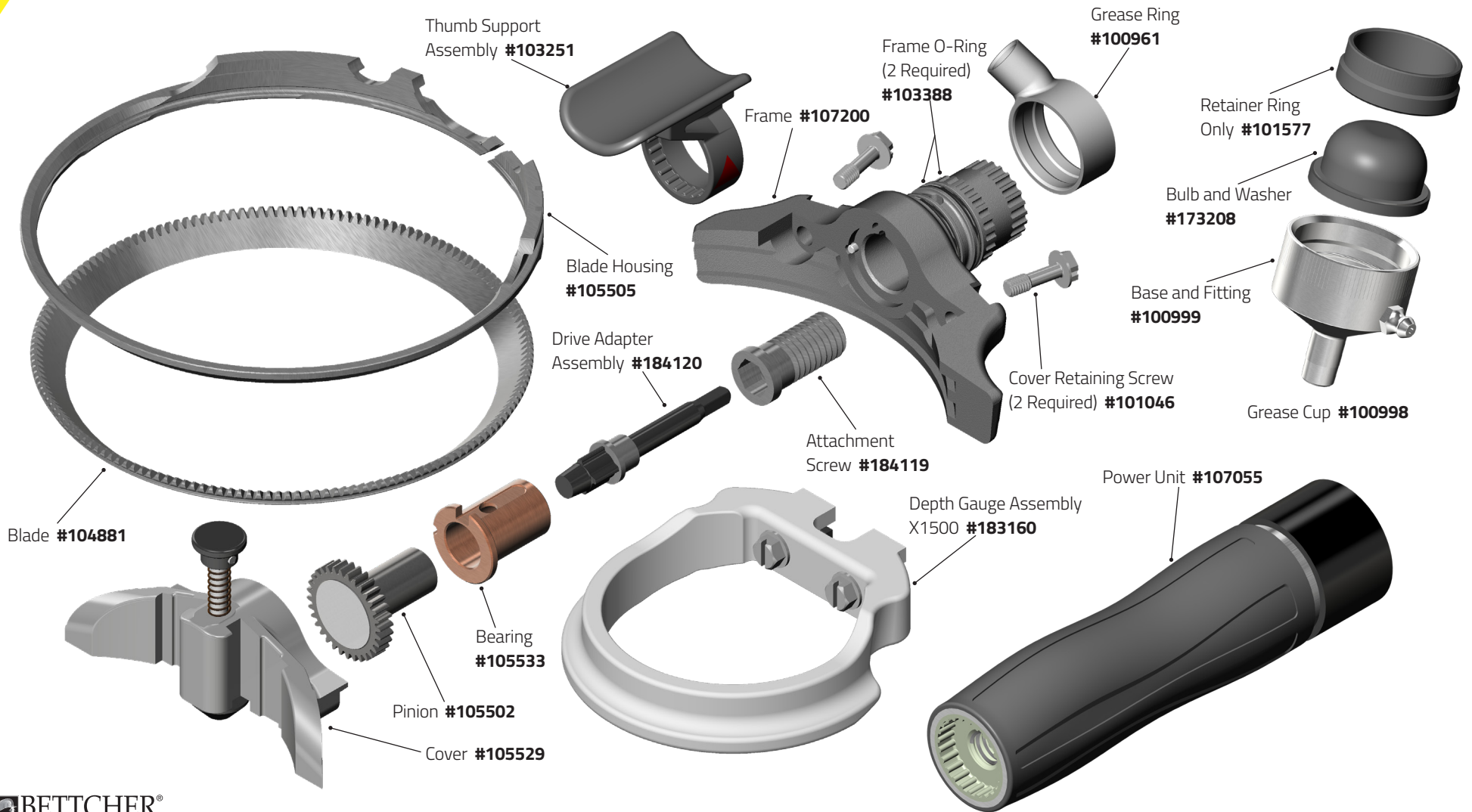


Quantum Flex[®] Air X850/X880B & X880S



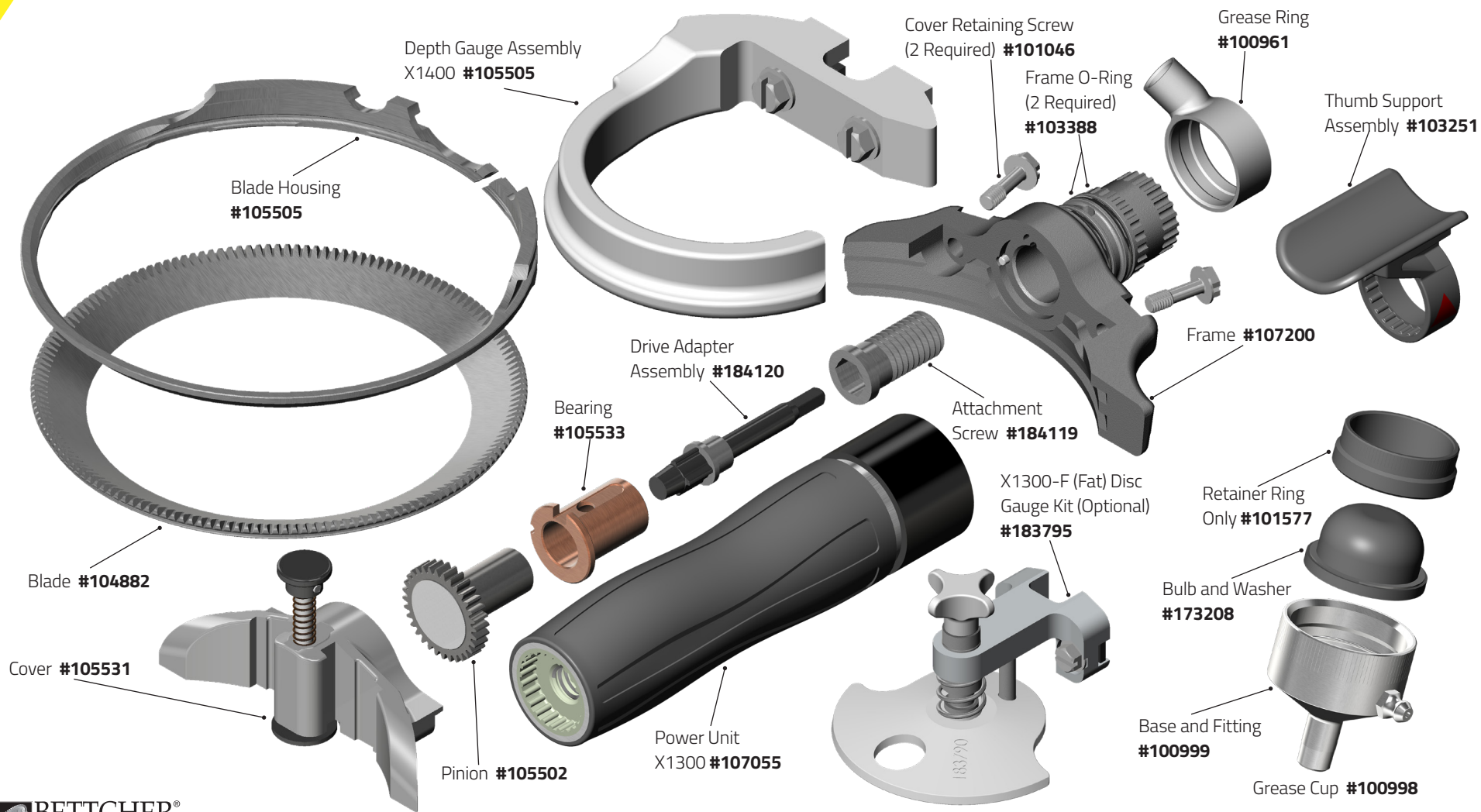


Quantum Flex® Air X1000 & X1500



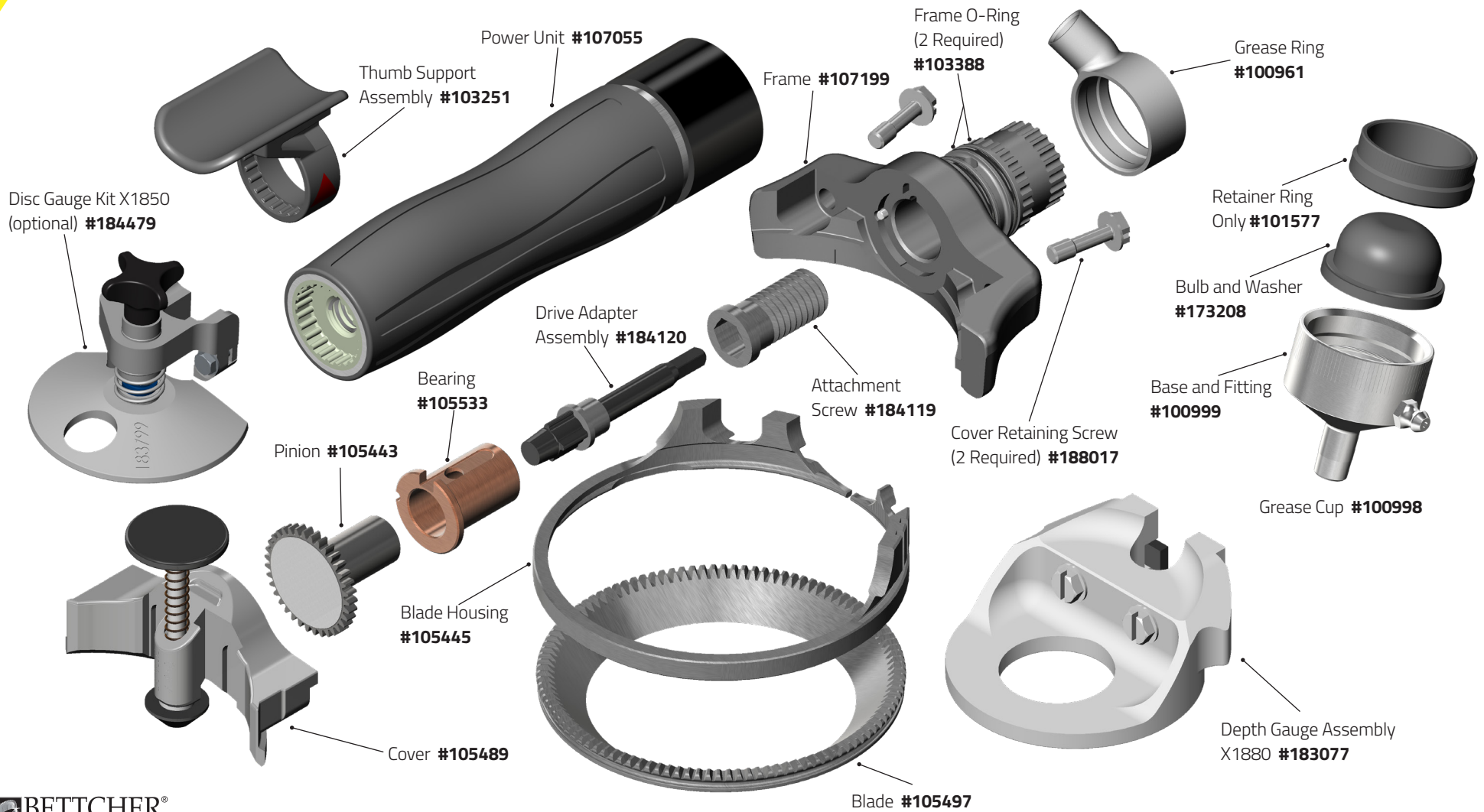


Quantum Flex® Air X1300 & X1400





Quantum Flex® Air X1850 & X1880





Quantum Flex[®] Air Handle & Motor

Air Motor Assembly #107017

Complete Power Unit Assembly

- Large Gray #107055
- Small Gray #106806
- Small Blue #107016
- Small Yellow #107422

Cap
#184286

Handle with O-Ring
Small #106807
Large #107057

Air Motor
Assembly
#107017

Gear Head
Assembly
#185935

Seal Kit
#184427

Seal Block
#184062

Muffler
#184388

Adapter Plate
Assembly #107019

Upper Bearing
#185950

Upper Bearing Plate
Assembly #185948

Cylinder #106161

Rotor #185944

Vane Kit (Contains
5 Vanes) #185790

Retainer
#184049

Spacer
#184043

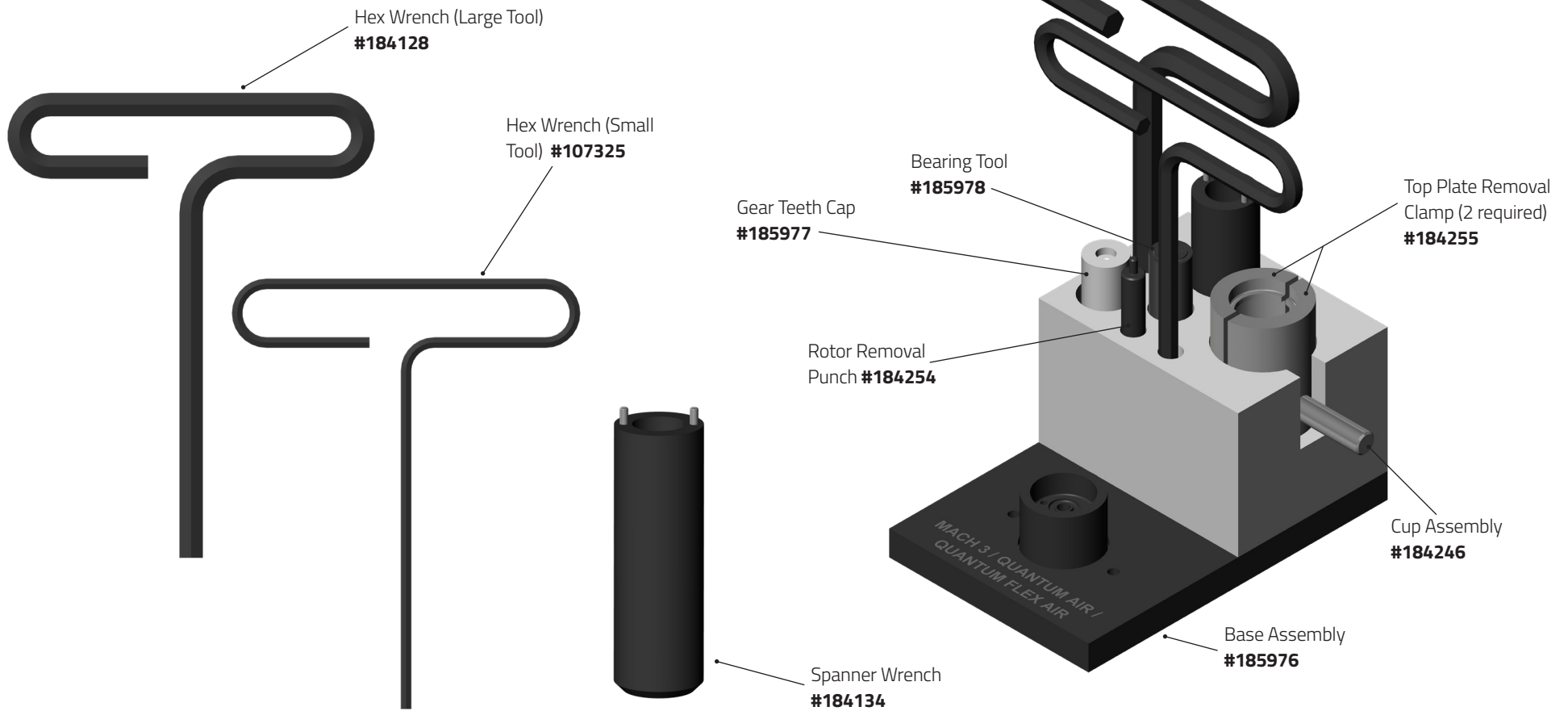
Lower Bearing Plate
Assembly #107018

Lower Bearing
#184046



Quantum Flex[®] Air Motor Maintenance Kit

Complete Maintenance Kit
#185975

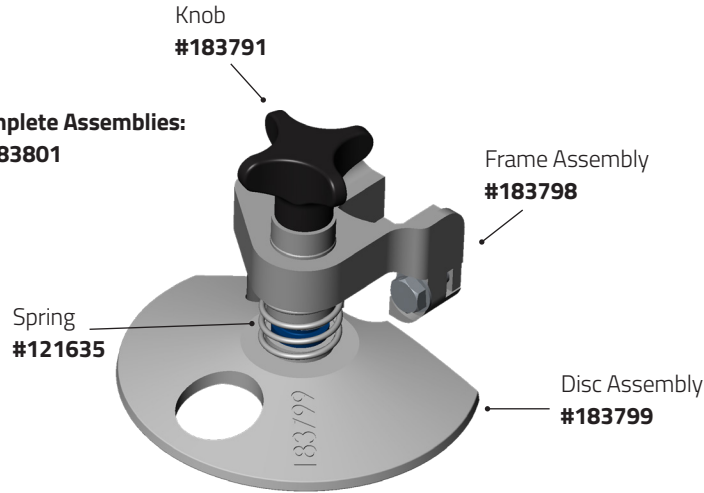




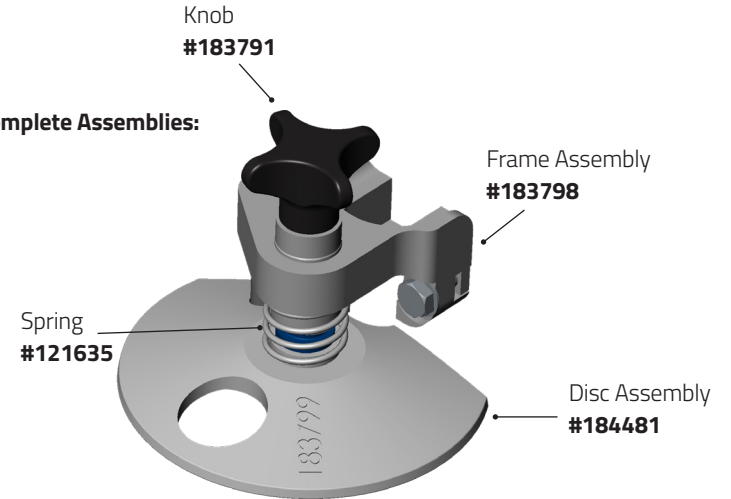
Quantum Flex® Air Parts & Accessories

Optional and Replacement Parts

Disc Gauge Kits, Complete Assemblies:
X850-S (Skinner) **#183801**



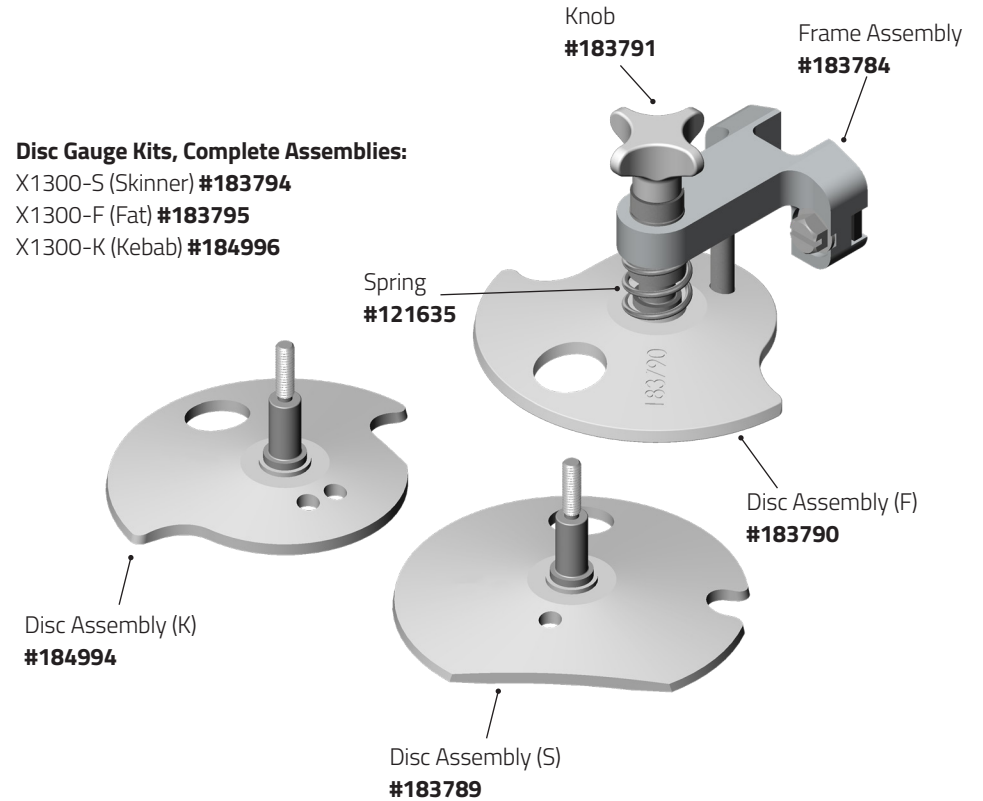
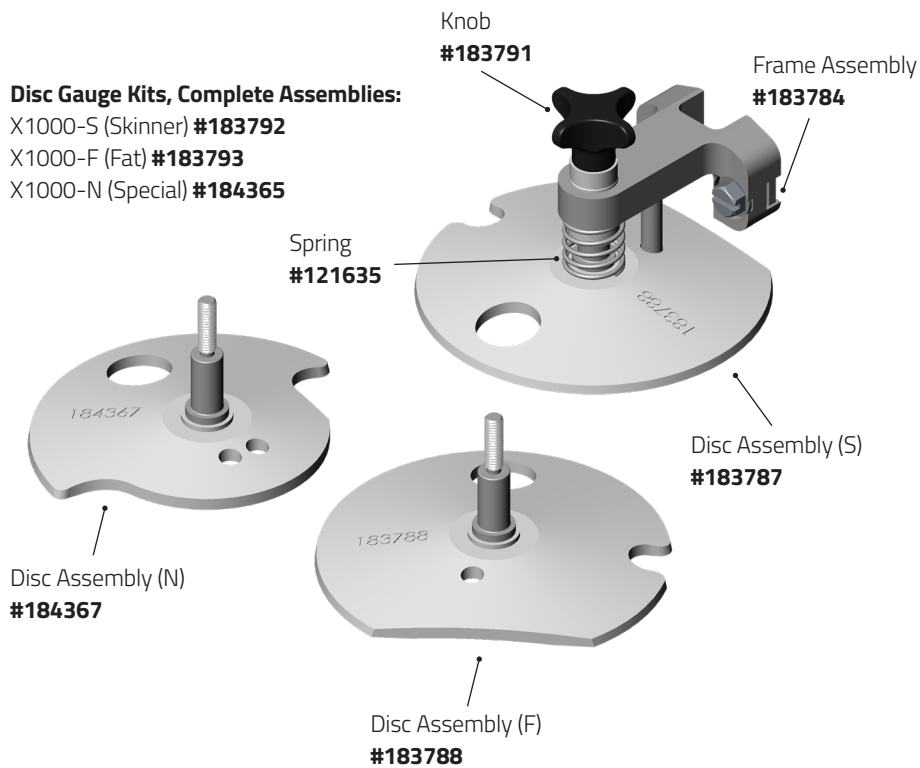
Disc Gauge Kits, Complete Assemblies:
X1850 **#184479**





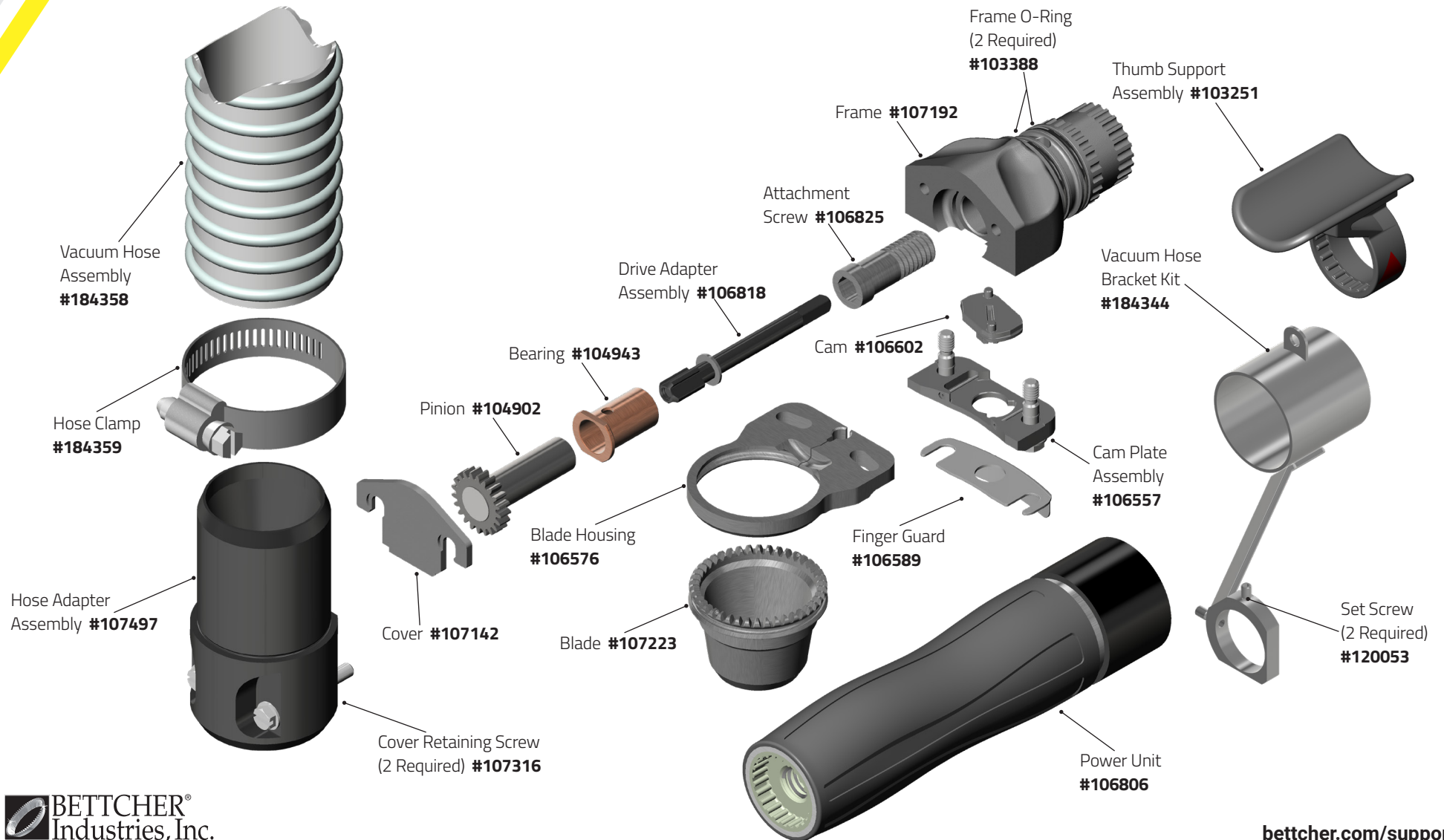
Quantum Flex® Air Parts & Accessories

Optional and Replacement Parts



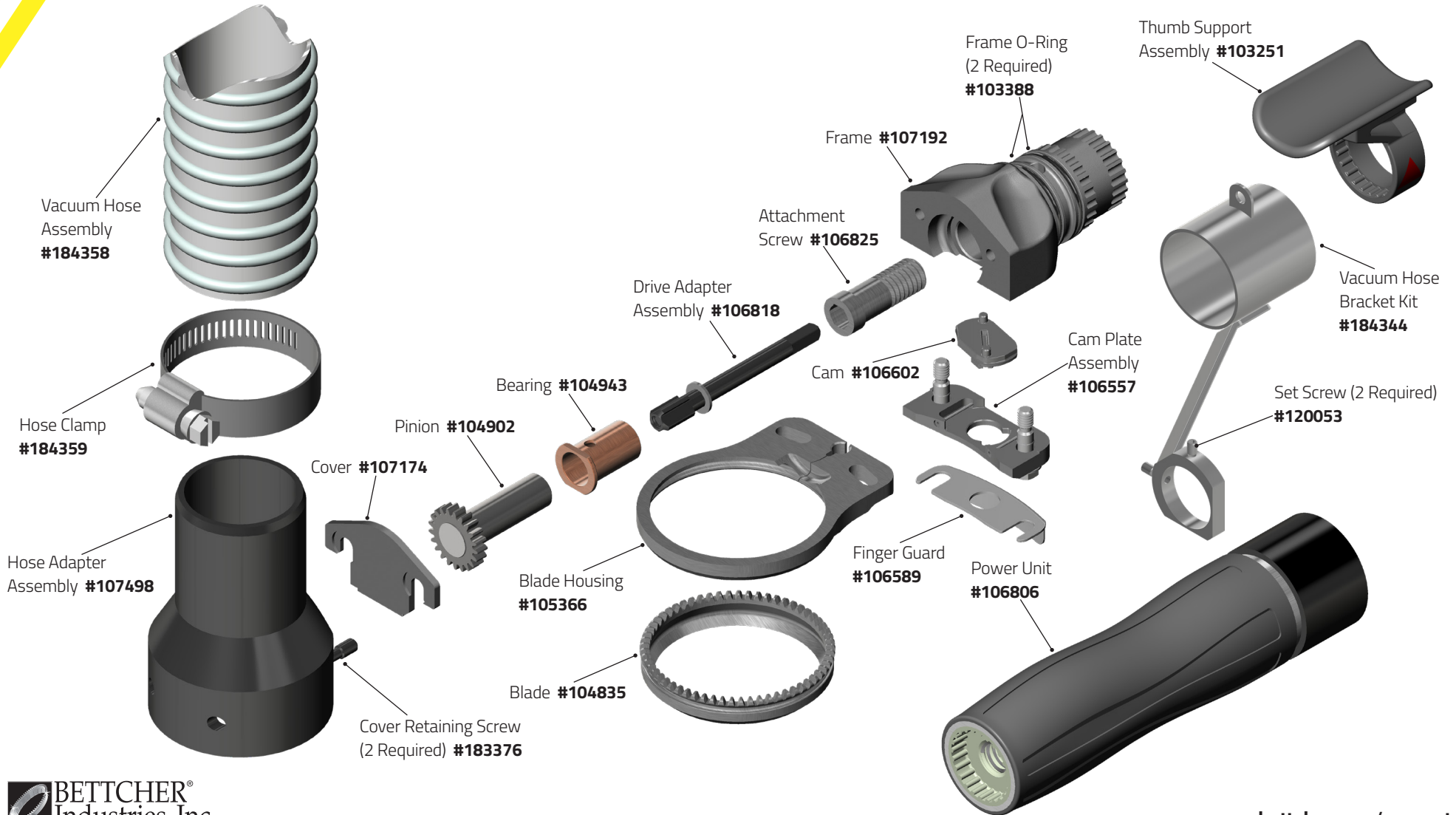


Quantum Flex® TrimVac® 18 Head Assembly



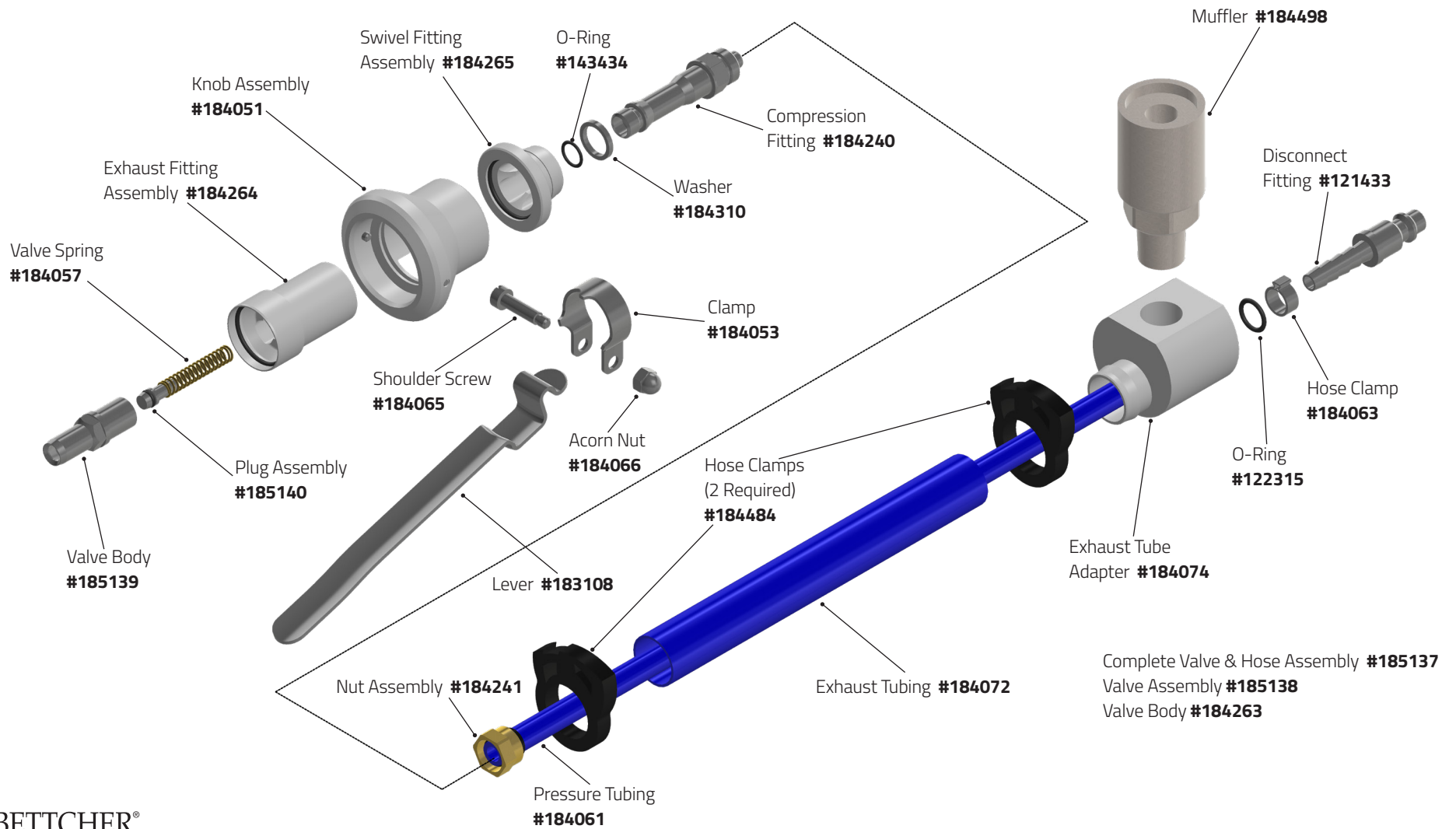


Quantum Flex® TrimVac® 45 Head Assembly





Valve and Hose Assembly





Quick Start Valve and Hose Assembly

