

Quantum Flex® Parts & Accessories

Optional and Replacements Parts

Grease Cups

Retainer Ring Only #101576

Bulb #163265

Washer #123523

Base and Fitting #101089

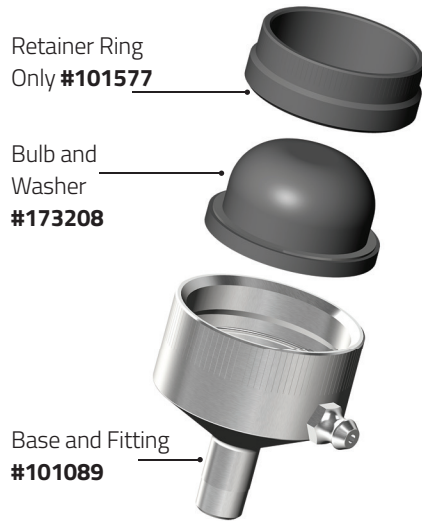


Small Grease Cup Complete #101090

Retainer Ring Only #101577

Bulb and Washer #173208

Base and Fitting #101089

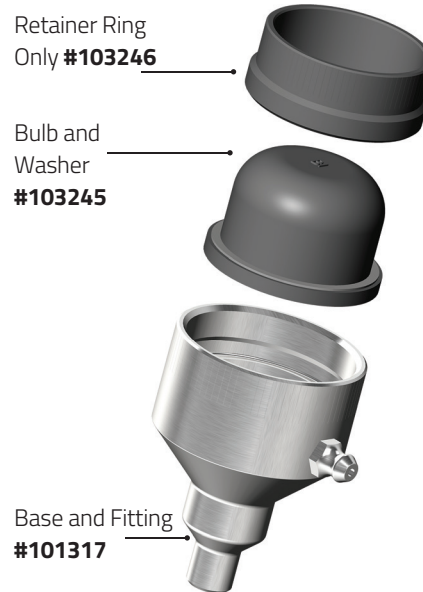


Medium Grease Cup Complete #100998

Retainer Ring Only #103246

Bulb and Washer #103245

Base and Fitting #101317



Large Grease Cup Complete #101316

Whizard® Strap Assembly

Whizard® Strap Assembly #103060



Handles (standard)

Small Handle #106944 S

Medium Handle #106947 M

Large Handle #106948 L



Handles (optional)

Small Blue Handle #102996 S

Medium Gray Handle #106947 M

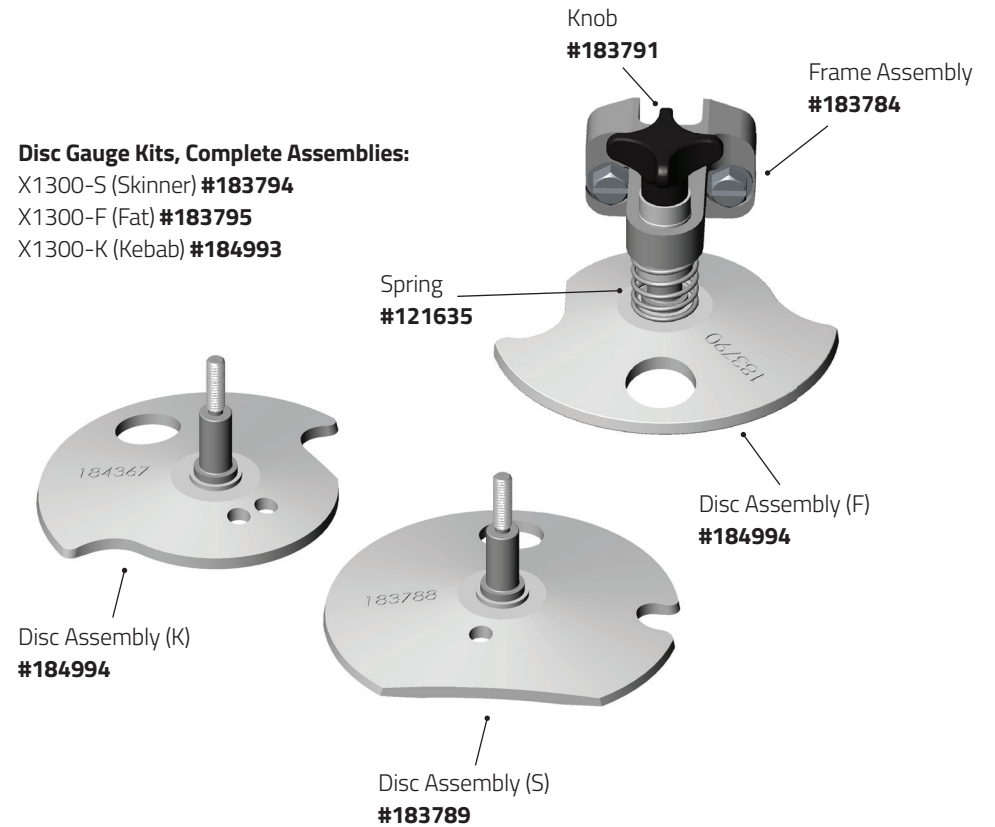
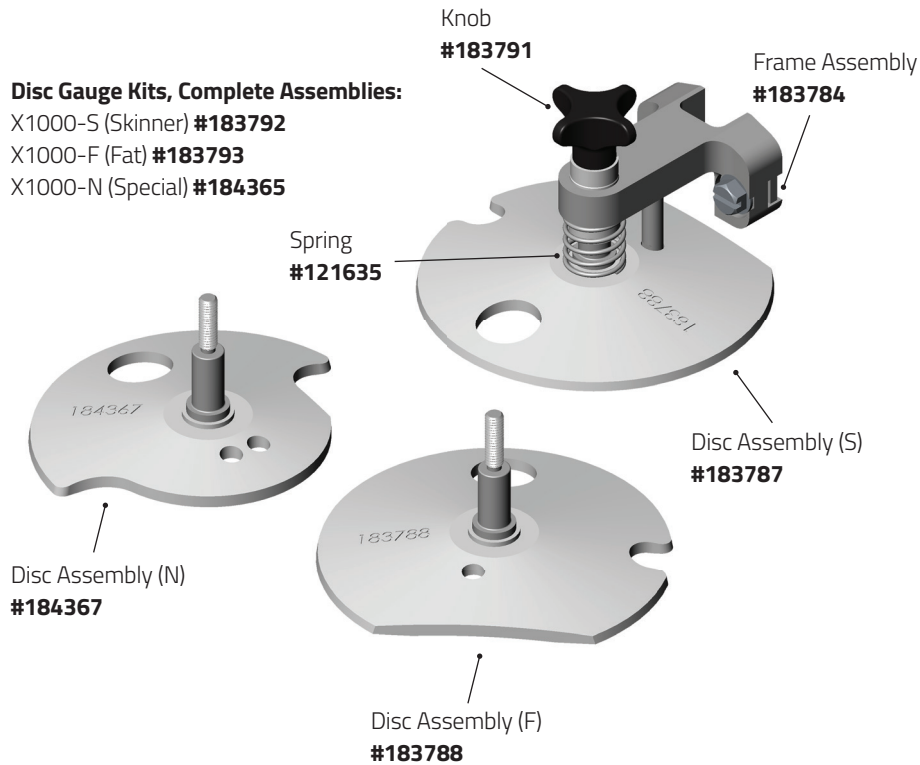
Large Yellow Handle #100694 L





Quantum Flex® Parts & Accessories

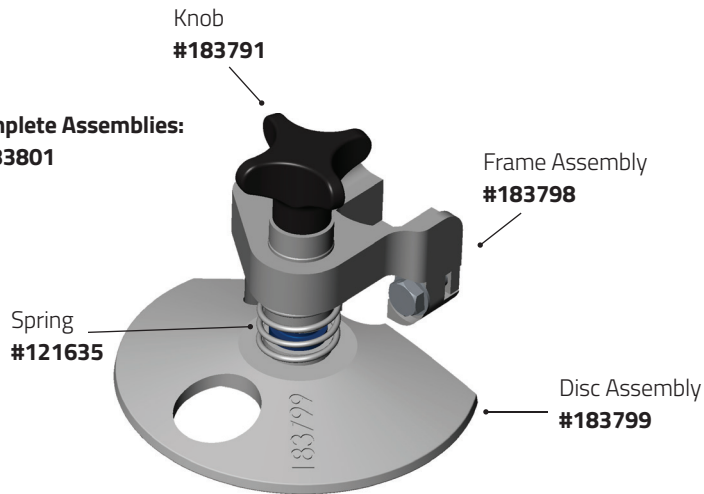
Optional and Replacements Parts



Quantum Flex® Parts & Accessories

Optional and Replacements Parts

Disc Gauge Kits, Complete Assemblies:
X850-S (Skinner) **#183801**



Disc Gauge Kits, Complete Assemblies:
X1850-K (Kebab) **#184479**

