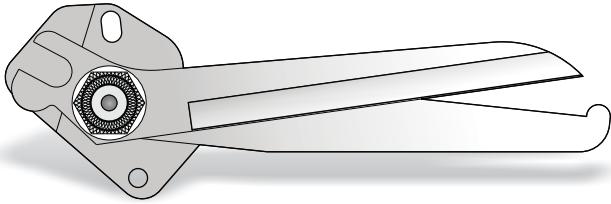




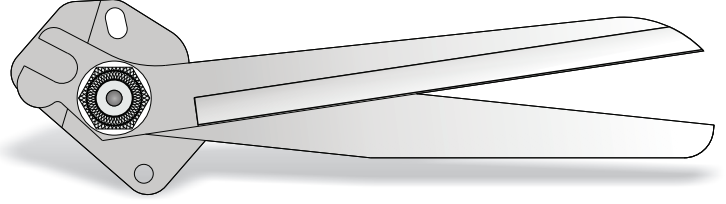
Blade Assemblies



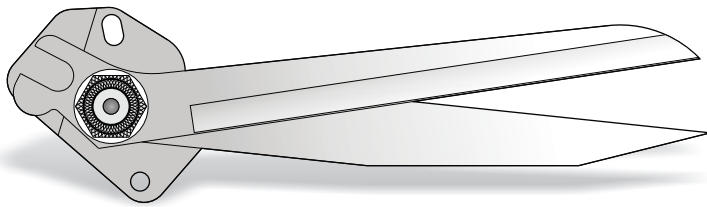
4 1/4" Ball Tip Blade #108055

Typical Poultry Applications:

- J-Cut hens
- Vent opening



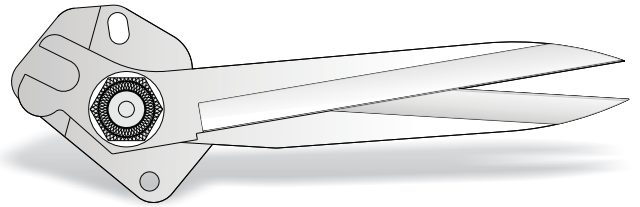
1/4" Straight Blade #108053



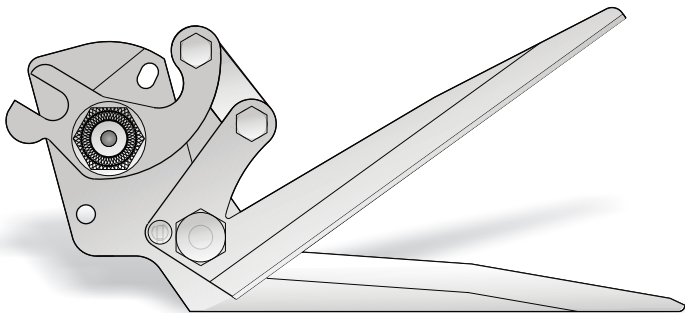
4 1/4" Gizzard Blade #108146

Typical Poultry Application:

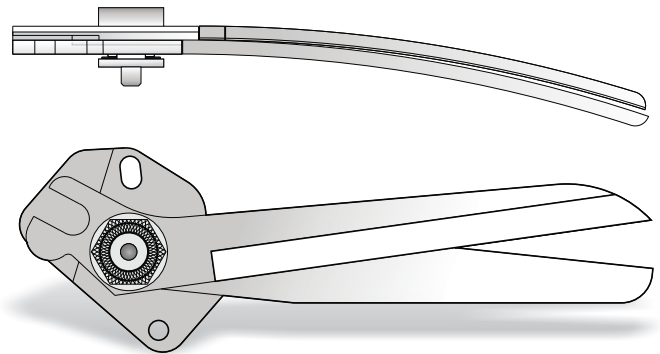
- Gizzard opening & trim



**4 1/4" Straight Blade #108475
(Low Profile 35°)**



5" Standard Tabletop Blade #108505



4 1/4" Curved Blade #108054